

60 Ton Portable Air Cooled Scroll Chiller

GENERAL DESCRIPTION

YORK® International Portable Air-Cooled Scroll Chiller self-contained rental packages are specifically engineered and packaged to provide temporary chilled fluid for commercial and industrial air conditioning and process cooling applications requiring flexibility. The chiller package is permanently mounted on a rugged steel tubular frame that can be easily maneuvered with a forklift or crane. These features allow for quick delivery and minimal installation time.



TECHNICAL DATA

GENERAL

York International Chiller Model	YCAL0060 ⁽¹⁾
Ambient Operating Range	0-115°F
Leaving Chilled Liquid Setpoint	20-55 °F
Refrigerant Circuits	2

DIMENSIONS (Skid Mounted)

Length	10' 11"
Width	7' 5"
Height	8' 1"
Shipping Weight	6,600 lbs

ELECTRICAL DATA

Single Point Power Supply	460V / 3Ø / 60Hz
Connections (1 per Ø)	Series 16 Cam Type
Minimum Circuit Ampacity	128.9* Amps
<i>*Includes 9.6 Amps for (1) 7.5 HP Pump</i>	

EVAPORATOR FLOW

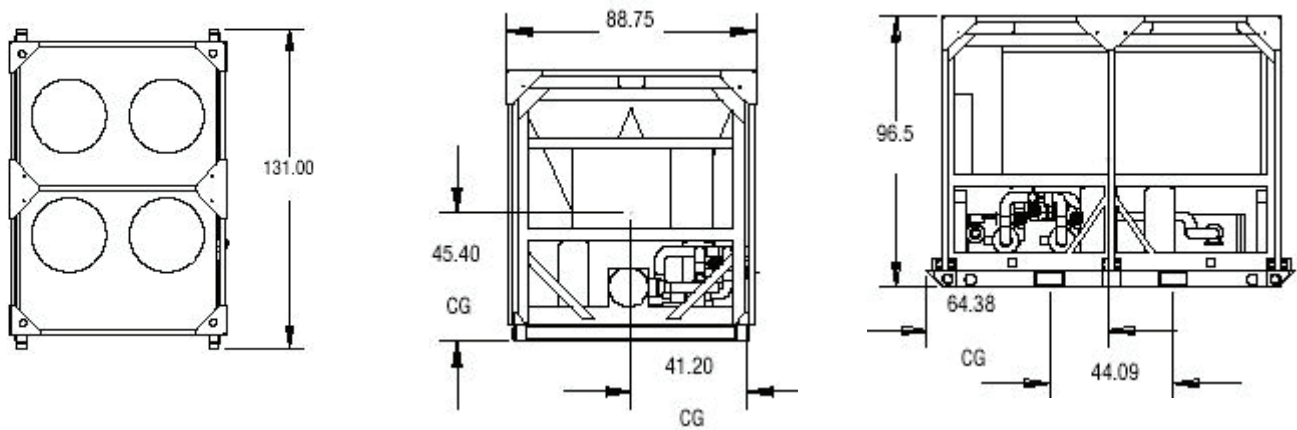
Minimum	60 GPM
Design	135 GPM
Maximum	325 GPM
Fluid connections	3", Grooved
Maximum Water Side Pressure	150 PSIG

CHILLER FEATURES

- Low Sound Fans
- Condenser Black Fin Coil Coating & Louvered Enclosure
- Single Point Power w/ Disconnect Switch
- Across the Line Starter
- Low Ambient Kit
- Differential Pressure Readout Kit
- Mechanical Flow Switch

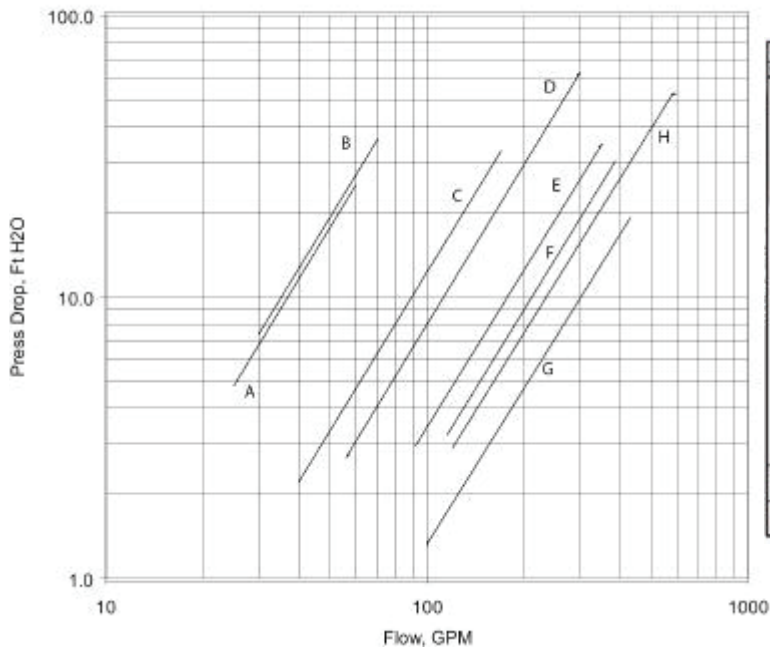
PACKAGE FEATURES

- Protective Skid & Frame w/ Forklift and Crane Provisions
- Phase Over / Under Voltage & Imbalance Protection
- 7.5 HP Redundant Pumps and Optional Pump Bypass
- Mechanical Flow Meter
- Gear Operated Valves
- Temperature & Pressure Gauges
- T-Strainer
- 120V Shore Power



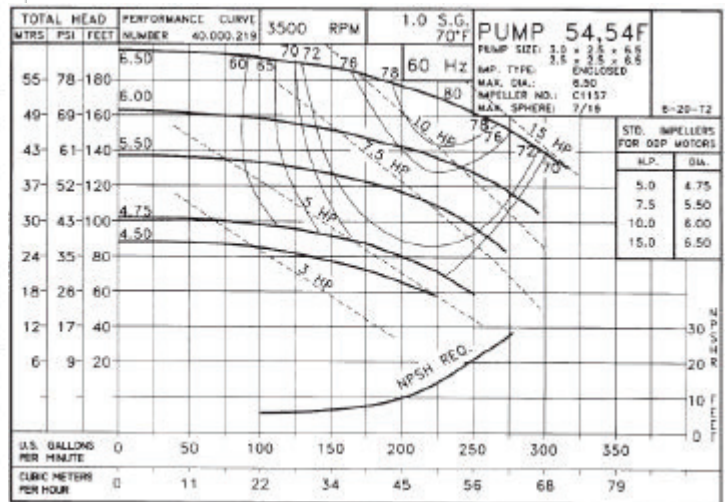
Minimum Clearances: Units Side by Side: 12 ft, Control Panel to Wall: 5 ft, Side to Wall: 8 ft, Front to Wall: 8 ft. Install unit on flat level surface.

EVAPORATOR PRESSURE DROP



YCAL0060: Use Cooler Curve Code D

SCOT PUMP – MODEL 54 PUMP CURVE (5.13" IMPELLAR / 7.5 HP)



149 Providence Street, Hyde Park, MA 02136
(tel) 866.352.0170 (fax) 617.333.9522

40 Railroad Hill Avenue, Waterbury, CT 06708
(tel) 866.352.0170